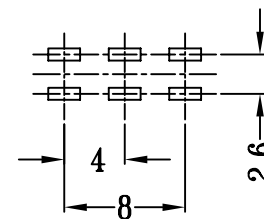
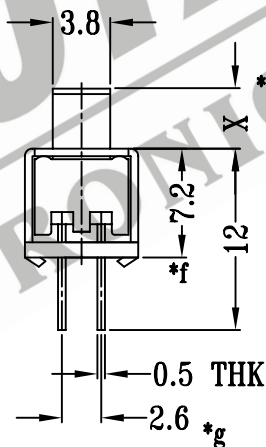
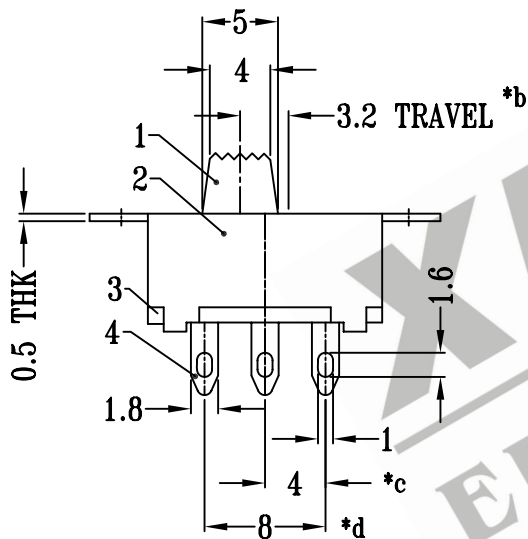
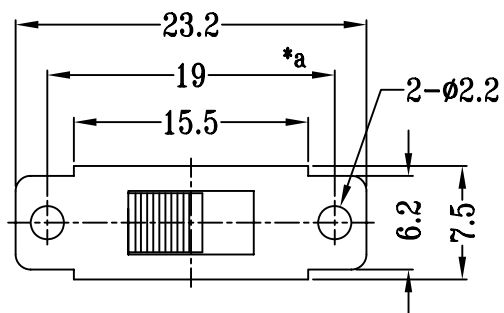


CAD FILE:



SCHEMATIC (NON-SHORTING)

P.C.B LAYOUT

注:带"*"表示关键尺寸(7个)

					TOLERANCE UNLESS SPECIFIED		SHENZHEN XIEJIA ELECTRONICS CO.,LTD.				
					WITHIN: 1.5±0.1mm OVER : 1.5±0.2mm		ISSUE	DATE	DESCRIPTIONS		APPD.
8											
7											
6	SPRING	STEEL WIRE	2	TEMPER							
5	CONTACT	BRASS STRIP	2	Ag PLATED							
4	TERMINAL	BRASS STRIP	6	Ag PLATED OVER Ni PLATED	TITLE : VERTICAL SLIDE SWITCH		UNIT : MM	DRWG NO.: XJ-DR-SS22F52-00			
3	BASE	PHENOLIC RESIN	1	BLACK	MODEL: SS-22F52		SCALE: 2 : 1	DWN.	ZHOUYU	2003-6-14	
2	FRAME	STEEL STRIP	1	Ni PLATED	ALL MATERIALS MUST BE COMPLIANT TO ROHS			CHK'D	FANGYING	2003-6-14	
1	KNOB	POM	1	BLACK				APPD.	KANGXINAN	2003-6-14	
NO.	PART NAME	MATERIAL	Q'TY	FINISHING							